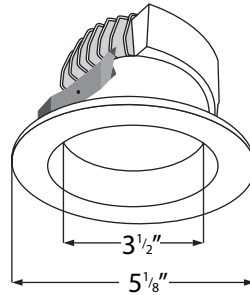


DIMENSIONS



USE OF PRODUCT

The Versatrim® RFL4 Series is the ideal product for energy efficient lighting in existing, remodel, or new construction housings. This product may be used in hospitality, health care, commercial, retail, and residential applications. The Versatrim will reduce energy consumption, emits little heat, and reduces cooling loads for added costs savings. Approximately 75% in energy savings compared to incandescent light source.

VERSATRIM® FEATURES

- Color Temperature: 2700K, 3000K, 3500K, or 4000K
- Color Rendering Index: 93+ CRI Typical
- SDCM: 2 Step binning
- R9 Value: 85
- LED Life: 50,000 hours
- LED Type: Cree LED for maximum light output
- Versatility: Interchangeable baffle, reflector, and trim ring in round and square
- EM Battery: 90 min, 800 lumens only
- Warranty: 5 Year Limited Warranty
- Wet Location Certified

LED DRIVER

Standard Triac/ELV or optional 0-10V driver provides high power factor with the optimum thermal management to prevent damage caused by high temperature. Driver protections include: output open load, over-current and short circuit, and over temperature with auto recovery.

DIMMING

Available in 8 driver selections. Standard Triac/ELV, 120V. (018) 0-10V dimming in 800 delivered lumens, 120-277V. (PEQ0) Lutron Hi-Lume Premier Ecosystem 0.1% w/soft on, fade to black dimming, 120-277V. (LDE1) Lutron Hi-Lume 1% Ecosystem with soft on, fade to black dimming, 120-277V. (LTE) Hi-Lume 1% 2-wire, 120V (L3DA) Hi-lume 1% EcoSystem/3-Wire L3D Driver (EEI) eldoLED Eco 1% Dim (0-10V), 120-277V. (EDIO) eldoLED Solo 0.1% Dim (0-10V), 120-277V. (EDID) eldoLED Solo 0.1% Dim (DALI), 120-277V.

ELECTRICAL CONNECTION

LED module quick connect allows easy connection to Rayon LED housing. Optional edison screw base or GU24 adaptor available for retrofit applications.

EMERGENCY BATTERY

Optional emergency battery with up to 90 minute illumination time. 800 delivered lumens only.

MOUNTING

Torsion springs supplied for convenient mounting to existing, remodel, or new construction housing.

MODULE MECHANICS

The RFL4 Series is constructed of durable heat sink, baffle/reflector, trim ring, diffused lens and Cree LEDs for optimum performance. Interchangeable round or square

baffle, reflector, and trim ring are designed for convenient color selection and replacement in the field. Diffused, polycarbonate, impact-resistant lens provides for even light output, glare control, and conceals LEDs from view

LABELS/COMPLIANCE

- CSA Classified for wet location
- LM79 and LM80
- Can be used for state of California Title 24 compliance
- JA8 Certified

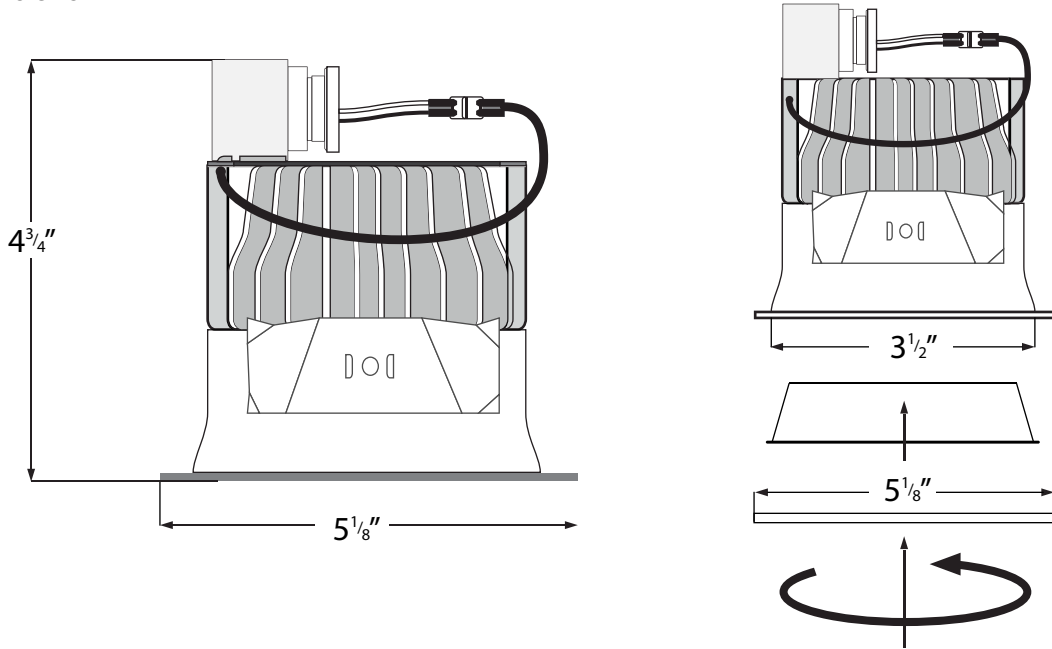


DIMENSIONS

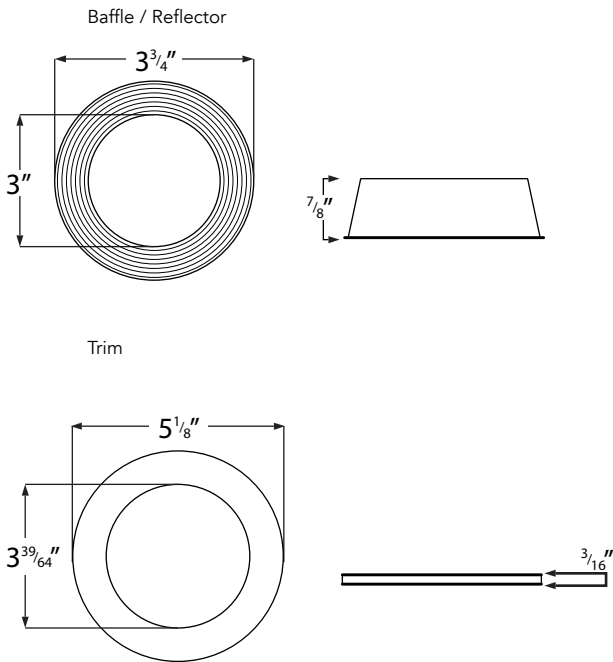
Series	Lumens	Color Temp.	Dimming	Baffle or Reflector	Trim	Option
RFL4	8L - 800lm	WD - Warm Dim (1800K-3000K)	Leave blank - Triac/ELV 018 ¹ - 0-10V Dimming (800 lumens) PEQ0 ^{1,2} - Lutron Hi-Lume Premier Ecosystem 0.1% w/soft on, fade to black dimming LDE ^{1,2} - Lutron Hi-Lume 1% Ecosystem with soft on, fade to black dimming LTE ^{1,2,3} - Hi-Lume 1% 2-wire L3DA ^{1,2} - Hi-lume 1% EcoSystem/3-Wire L3D Driver EEI ^{1,2,4} - eldoLED Eco 1% Dim (0-10V) EDIO ^{1,2,4} - eldoLED Solo 0.1% Dim (0-10V) EDID ^{1,2,4} - eldoLED Solo 0.1% Dim (DALI)	Round 4BLW - White 4BLSN - Satin Nickel 4BLC - Copper 4BLB - Black 4BLBZ - Bronze 4RLW - White 4RLCH - Chrome 4RLSN - Satin Nickel 4RLC - Copper 4RLB - Black 4RLBZ - Bronze 4RLH - Haze 4RLCX - Custom	4TLW - White 4TLSN - Satin Nickel 4TLC - Copper 4TLB - Black 4TLBZ - Bronze 4TLH - Haze 4TLCX - Custom	SBA - Screw base adapter (Included) G-24 - GU24 adapter 277SDT ¹ - 277V Step down transformer 347SDT ¹ - 347V Step down transformer EM ¹ - Emergency back-up
				Square 4SBLW - White 4SBLB - Black 4SRLW - White 4SRLB - Black 4SRLH - Haze 4SRLSN - Satin Nickel 4SRLCH - Chrome 4SRLBZ - Bronze 4SRLCX - Custom 4STLW - White 4STLB - Black 4STLH - Haze 4STLSN - Satin Nickel 4STLBZ - Bronze 4STLCX - Custom		

Note:
 1. Requires dedicated housing.
 2. Requires ceiling access
 3. 120V only.
 4. Must specify logarithmic or linear eldoLED driver.

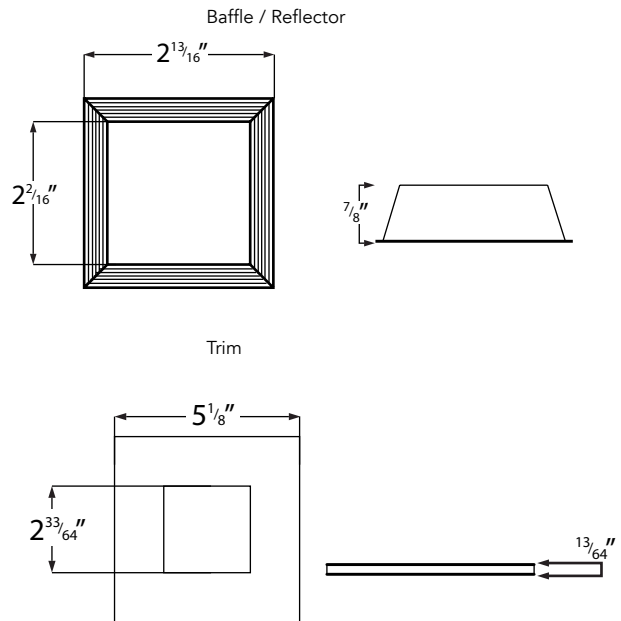
RETROFIT DIMENSIONS



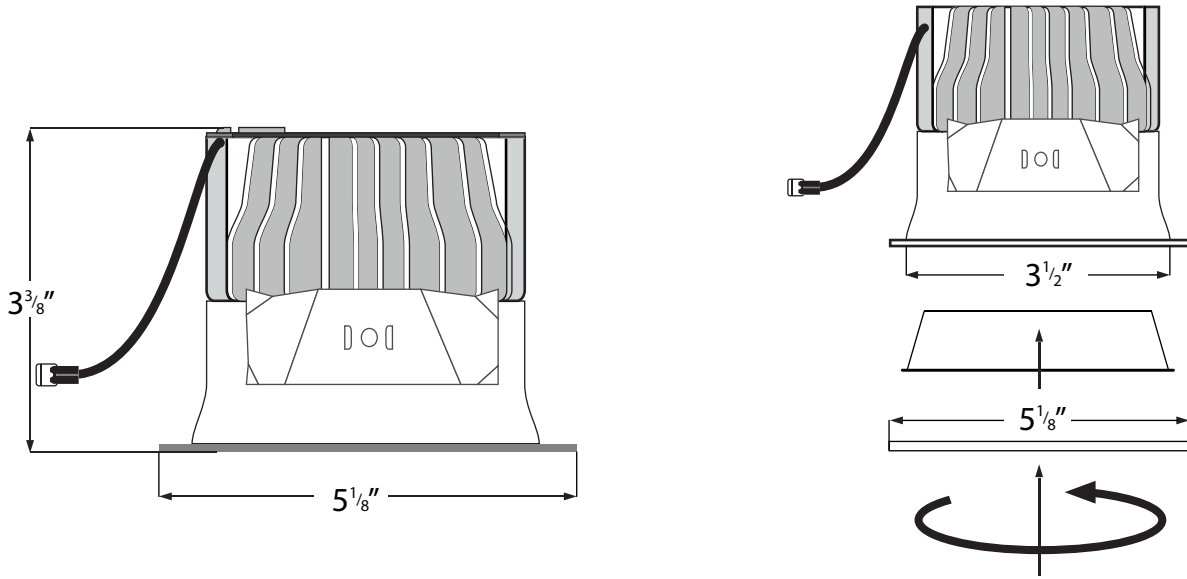
ROUND



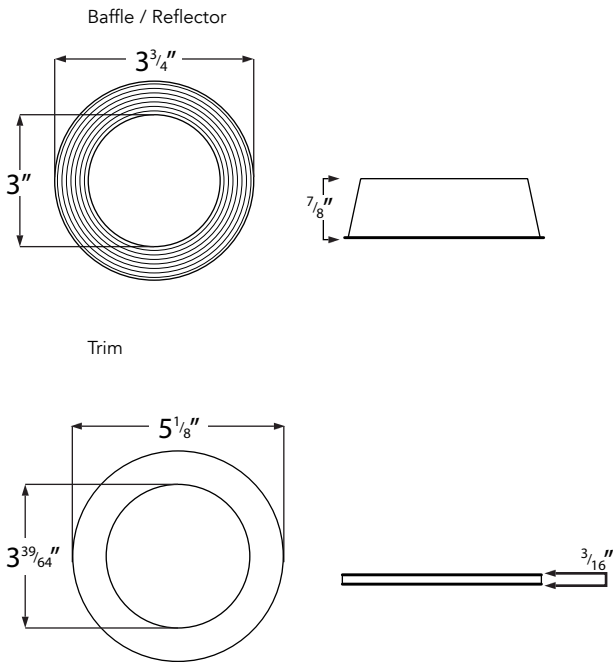
SQUARE



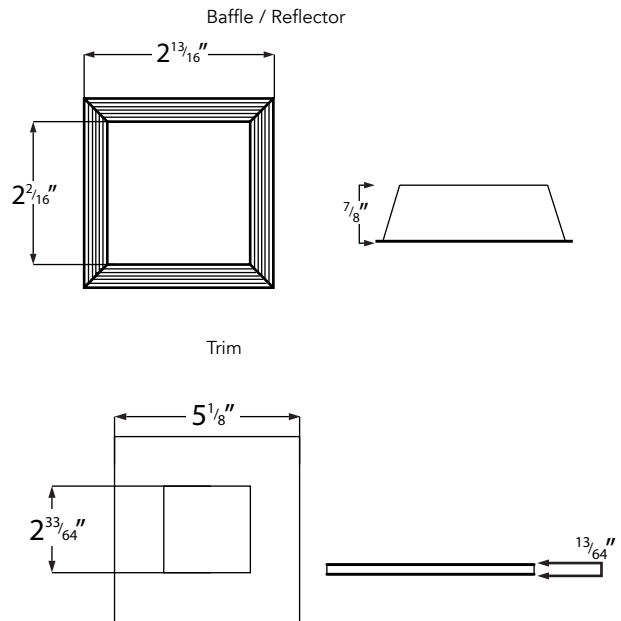
NEW CONSTRUCTION/REMODEL DIMENSIONS



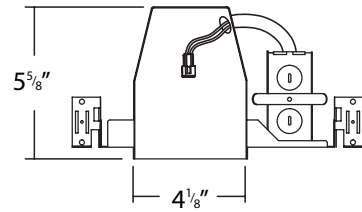
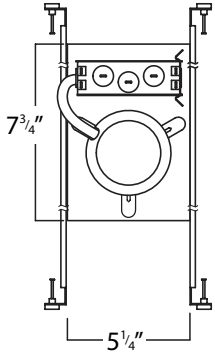
ROUND



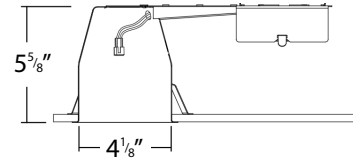
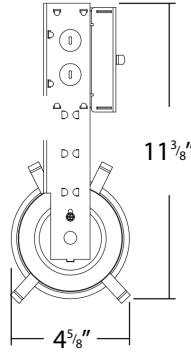
SQUARE



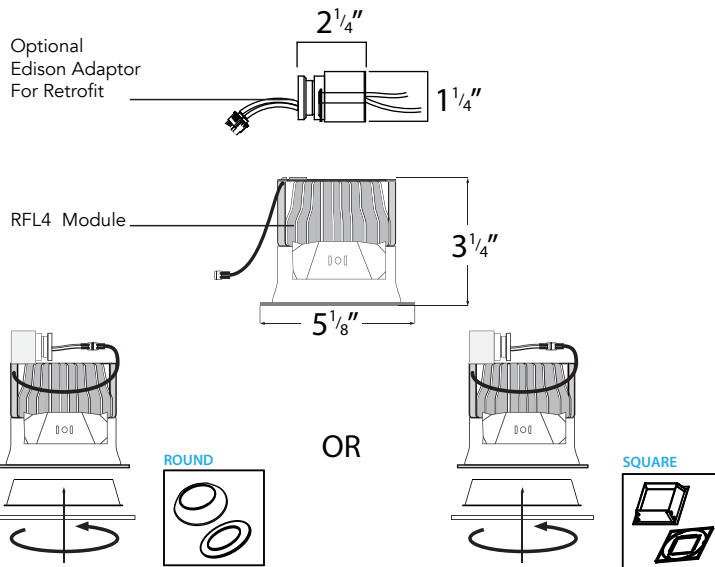
COMPATIBLE RAYON 4" HOUSING



RHL4-ICAT
New Construction LED Housing



RHL4R-ICAT
Remodel LED Housing





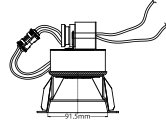
RHL4-ICAT

4" IC Air-tight New Construction LED Housing

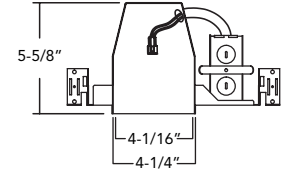
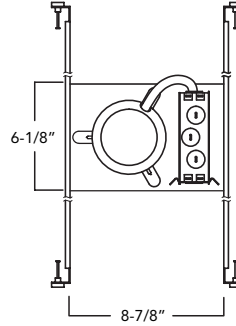
Project: _____
 Model: _____
 Location: _____
 Contact: _____

4" IC Air-Tight New Construction LED Housing

DIMENSIONS



Compatible with RFL4Series



USE OF PRODUCT

The RHL4-ICAT is the ideal product for general purpose recessed LED housing for residential, commercial, hospitality, health care, restaurant and retail applications. This product is compatible with the Versatrim RFL4 Series in round or square in various baffle, reflector, and trim ring color selections to achieve a particular look.

CONSTRUCTION

- Minimum Clearance Rated for IC/ Non - IC application. "IC" or insulated ceiling housings are rated for direct contact with insulation. No minimum clearance is required.
- Ceiling Thickness Up to 1 1/4".
- Bar Hangers Bar Hangers are adjustable from 13-5/8 to 25" and can be repositioned to 90° on plaster frame. Pre-installed "real nail" easily installs in regular lumber, engineered lumber
- Junction Box Junction box is listed for through branch circuit wiring and contains seven 7/8" knockouts and four ROMEX pryouts with Romex cable clamp. Ground wire provided on J-Box.
- New Construction Frame Galvanized steel construction.
- Connection Quick connect provided for easy connection to VersaTrim RFL4 Series LED module to meet non-screw base socket requirements per California Title 24.

DIMMING

Available in 8 driver selections. Standard Triac/ELV, 120V. (018) 0-10V dimming in 800 delivered lumens, 120-277V. (PEQ0) Lutron Hi-Lume Premier Ecosystem 0.1% w/soft on, fade to black dimming, 120-277V. (LDE1) Lutron Hi-Lume 1% Ecosystem with soft on, fade to black dimming, 120-277V. (LTE) Hi-Lume 1% 2-wire, 120V (L3DA) Hi-lume 1% EcoSystem/3-Wire L3D Driver (EEI) eldoLED Eco 1% Dim (0-10V), 120-277V. (EDIO) eldoLED Solo 0.1% Dim(0-10V), 120-277V. (EDID) eldoLED Solo 0.1% Dim(DALI), 120-277V.

EMERGENCY

Optional emergency back-up may be ordered separately. Unit operates for 90 minutes with LED modules up to 20 Watts and is Damp location rated, 120/277AC operational.

MODULE COMPATIBILITY

RHL4-ICAT is compatible with the Versatrim RFL4 Series in round or square in various baffle, reflector, and trim ring color selections to achieve appearance of choice.

LABELS/COMPLIANCE

cUL listed for Wet location
 Certified under ASTM-283 for Air-Tight Construction
 Title 24 Compliant

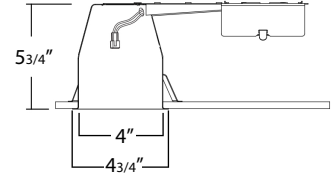
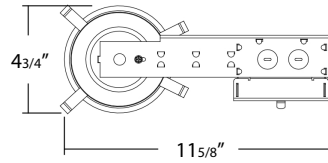
DIMENSIONS

Series	Dimming	Option
RHL4-ICAT - 4" IC Air-Tight New Construction LED Housing	Leave blank - Triac/ELV 018 ¹ - 0-10V Dimming (800 lumens) PEQ0 ^{1,2} - Lutron Hi-Lume Premier Ecosystem 0.1% w/soft on, fade to black dimming LDE ^{1,2} - Lutron Hi-Lume 1% Ecosystem with soft on, fade to black dimming LTE ^{1,2,3} - Hi-Lume 1% 2-wire L3DA ^{1,2} - Hi-lume 1% EcoSystem/3-Wire L3D Driver EEI ^{1,2,4} - eldoLED Eco 1% Dim (0-10V) EDIO ^{1,2,4} - eldoLED Solo 0.1% Dim (0-10V) EDID ^{1,2,4} - eldoLED Solo 0.1% Dim (DALI)	277SDT ¹ - 277V Step down transformer 347SDT ¹ - 347V Step down transformer EM ¹ - Emergency back-up

Note:
 1. Requires dedicated housing.
 2. Requires ceiling access
 3. 120V only.
 4. Must specify logarithmic or linear eldoLED driver.



DIMENSIONS



USE OF PRODUCT

The RHL4R-ICAT is the ideal product for general purpose recessed LED housing for residential, commercial, hospitality, health care, restaurant and retail applications. This product is compatible with the Versatrim RFL4 Series in round or square in various baffle, reflector, and trim ring color selections to achieve a particular look.

CONSTRUCTION

- **Minimum Clearance "IC"** or insulated ceiling housings are rated for direct contact with insulation. No minimum clearance is required.
- **CEILING THICKNESS** Up to 1 1/4".
- **BAR HANGERS** Bar Hangers are adjustable from 13-5/8" to 25" and can be repositioned to 90° on plaster frame. Pre-installed "real nail" easily installs in wood or composite joists.
- **JUNCTION BOX** Junction box is listed for through branch circuit wiring and contains seven 7/8 knockouts and four ROMEX pryouts with Romex cable clamp. Ground wire provided on J-Box.
- **REMODEL FRAME** Galvanized steel construction
- **CONNECTION** Quick connect provided for easy connection to Versatrim RFL4 Series LED module to meet non-screw base socket requirements per California Title 24.

DIMMING

Available in 8 driver selections. Standard Triac/ELV, 120V. (018) 0-10V dimming in 800 delivered lumens, 120-277V. (PEQ0) Lutron Hi-Lume Premier Ecosystem 0.1% w/soft on, fade to black dimming, 120-277V. (LDE1) Lutron Hi-Lume 1% Ecosystem with soft on, fade to black dimming, 120-277V. (LTE) Hi-Lume 1% 2-wire, 120V (L3DA) Hi-lume 1% EcoSystem/3-Wire L3D Driver (EEI) eldoLED Eco 1% Dim (0-10V), 120-277V. (EDIO) eldoLED Solo 0.1% Dim(0-10V), 120-277V. (EDID) eldoLED Solo 0.1% Dim(DALI), 120-277V.

EMERGENCY

Optional emergency back-up may be ordered separately. Unit operates for 90 minutes with LED modules up to 20 Watts and is Damp location rated, 120/277AC operational.

MODULE COMPATIBILITY

RHL4R-ICAT is compatible with the Versatrim RFL4 Series in round or square in various baffle, reflector, and trim ring color selections to achieve appearance of choice.

LABELS/COMPLIANCE

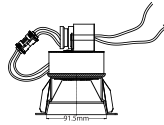
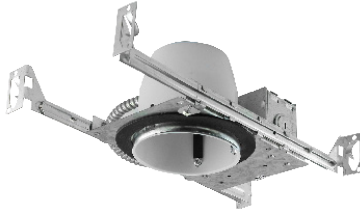
cUL listed for Wet location
 Certified under ASTM-283 for Air-Tight Construction
 Title 24 Compliant

DIMENSIONS

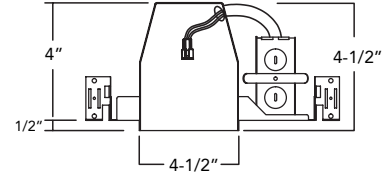
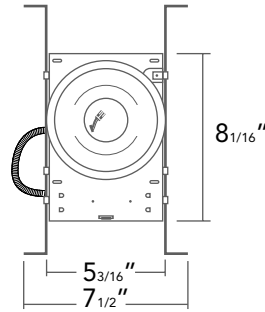
Series	Dimming	Option
RHL4R-ICAT - 4" IC Air-Tight Remodel LED Housing	Leave blank - Triac/ELV 018 ¹ - 0-10V Dimming (800 lumens) PEQ0 ^{1,2} - Lutron Hi-Lume Premier Ecosystem 0.1% w/soft on, fade to black dimming LDE ^{1,2} - Lutron Hi-Lume 1% Ecosystem with soft on, fade to black dimming LTE ^{1,2,3} - Hi-Lume 1% 2-wire L3DA ^{1,2} - Hi-lume 1% EcoSystem/3-Wire L3D Driver EEI ^{1,2,4} - eldoLED Eco 1% Dim (0-10V) EDIO ^{1,2,4} - eldoLED Solo 0.1% Dim (0-10V) EDID ^{1,2,4} - eldoLED Solo 0.1% Dim (DALI)	277SDT ¹ - 277V Step down transformer 347SDT ¹ - 347V Step down transformer EM ¹ - Emergency back-up

Note:
 1. Requires dedicated housing.
 2. Requires ceiling access
 3. 120V only.
 4. Must specify logarithmic or linear eldoLED driver.

DIMENSIONS



Compatible with
RFL4 800 lumen series only



USE OF PRODUCT

The RHL4S-ICAT is the ideal product for general purpose recessed LED housing for residential, commercial, hospitality, health care, restaurant and retail applications where plenum space is limited. This product is compatible with the Versatrim RFL4 800 lumens in round or square in various baffle, reflector, and trim ring color selections to achieve a particular look.

CONSTRUCTION

- Height 4" Height makes it ideal for shallow spaces.
- Minimum Clearance "IC" or insulated ceiling housings are rated for direct contact with insulation. No minimum clearance is required.
- CEILING THICKNESS Up to 1 1/4".
- BAR HANGERS Bar Hangers are adjustable from 13-5/8" to 25" and can be repositioned to 90°.
- JUNCTION BOX Junction box is listed for through branch circuit wiring and contains seven 7/8 knockouts and four ROMEX pryouts with strain relief.
- PLASTER FRAME Galvanized steel construction
- CONNECTION Quick connect provided for easy connection to Versatrim RFL4 Series LED module to meet non-screw base socket requirements per California Title 24.

EMERGENCY

Optional emergency back-up may be ordered separately. Unit operates for 90 minutes with LED modules up to 20 Watts and is Damp location rated, 120/277AC operational.

MODULE COMPATIBILITY

RHL4S-ICAT is compatible with the Versatrim RFL4-8L Series only in round or square in various baffle, reflector, and trim ring color selections to achieve appearance of choice.

DIMMING

Available in 8 driver selections. Standard Triac/ELV, 120V. (018) 0-10V dimming in 800 delivered lumens, 120-277V. (PEQ0) Lutron Hi-Lume Premier Ecosystem 0.1% w/soft on, fade to black dimming, 120-277V. (LDE1) Lutron Hi-Lume 1% Ecosystem with soft on, fade to black dimming, 120-277V. (LTE) Hi-Lume 1% 2-wire, 120V (L3DA) Hi-lume 1% EcoSystem/3-Wire L3D Driver (EEI) eldoLED Eco 1% Dim (0-10V), 120-277V. (EDIO) eldoLED Solo 0.1% Dim(0-10V), 120-277V. (EDID) eldoLED Solo 0.1% Dim(DALI), 120-277V.

LABELS/COMPLIANCE

CSA listed for Wet location
 Certified under ASTM-283 for Air-Tight Construction
 Title 24 Compliant

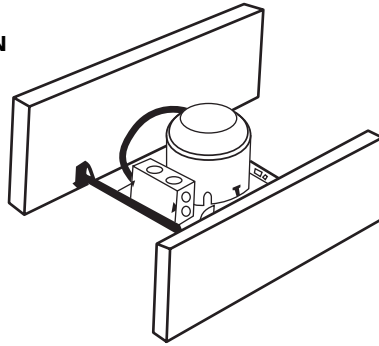
DIMENSIONS

Series	Dimming	Option
RHL4S-ICAT - 4" IC Air-Tight shallow New Construction LED Housing	Leave blank - Triac/ELV 018 ¹ - 0-10V Dimming (800 lumens) PEQ0 ^{1,2} - Lutron Hi-Lume Premier Ecosystem 0.1% w/soft on, fade to black dimming LDE ^{1,2} - Lutron Hi-Lume 1% Ecosystem with soft on, fade to black dimming LTE ^{1,2,3} - Hi-Lume 1% 2-wire L3DA ^{1,2} - Hi-lume 1% EcoSystem/3-Wire L3D Driver EEI ^{1,2,4} - eldoLED Eco 1% Dim (0-10V) EDIO ^{1,2,4} - eldoLED Solo 0.1% Dim (0-10V) EDID ^{1,2,4} - eldoLED Solo 0.1% Dim (DALI)	277SDT ¹ - 277V Step down transformer 347SDT ¹ - 347V Step down transformer EM ¹ - Emergency back-up

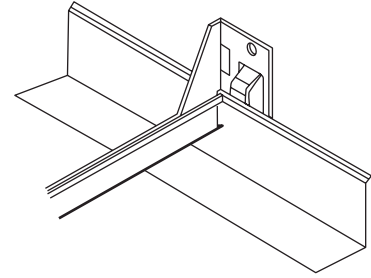
Note:
 1. Requires dedicated housing.
 2. Requires ceiling access
 3. 120V only.
 4. Must specify logarithmic or linear eldoLED driver.

NEW CONSTRUCTION INSTALLATION

Drawing 1



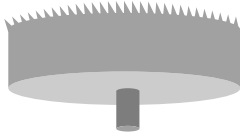
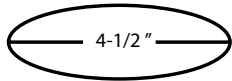
Drawing 2



1. Fastening fixture to ceiling

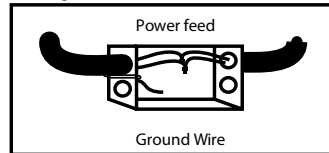
Joist-type ceiling-extend bar hangers to fit between joists. Position fixture temporarily by hammering "Nail" into joists. (Drawing 1), then secure permanently with nails. Hangers should be level with bottom of joists. Suspended (T-bar) ceilings-extend bar hangers 1" past T-bars, then rest fixture on T-bars. Secure fixture to T-bars with wire (drawing 2)

REMODEL INSTALLATION

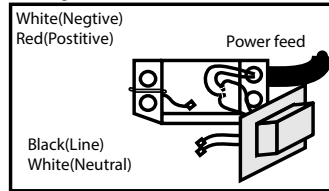


Carefully cut a hole of 4-1/2" diameter into the ceiling.

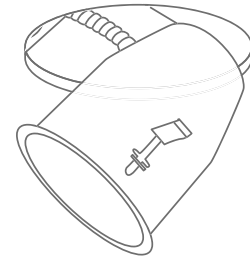
Housing without LED driver



Housing with LED driver



Pull supply wire through opening and make electrical connections. Refer to "electrical connections" section.



Insert the housing in ceiling cutout as illustrated.

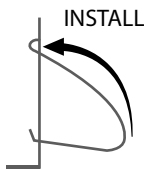
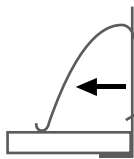


Fig.1F



ig.2

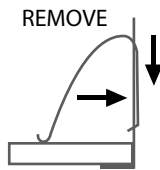
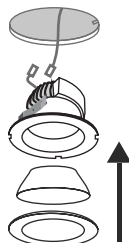


Fig.3

With clips seated properly in can (fig.1)
 Insert remodel housing into ceiling, junction box first.
 Hold fixture up against ceiling and push chip through housing solt (fig. 2)
 To lock clip in place push flat portion against side of can (fig. 2)
 To release pull down on clip (fig. 3)

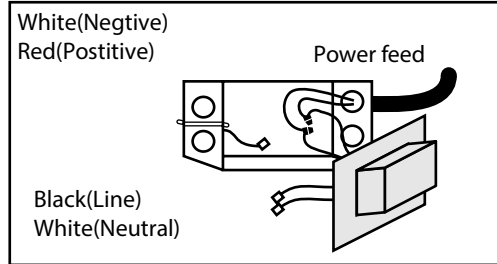
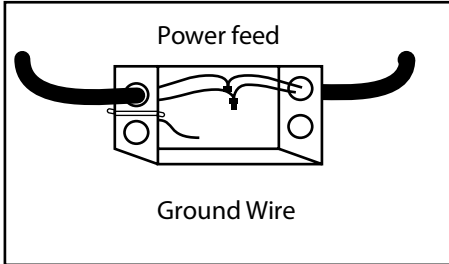
TRIM INSTALLATION



Final Result

Connect the male(module) into the female(Can) connector.
 Insert baffle/reflector into the module use trim to secure.

ELECTRICAL CONNECTION



3. Grounding

for Romex or 3 wire BX. flexible armour cable instadllations attach supply groundlead(green) to bare copper groundlead or ground screw in wiring box mounted on plaster frame. Local electrical codes should be consulted to determine acceptable installation-conduit Romex, or flexible Armour cable.

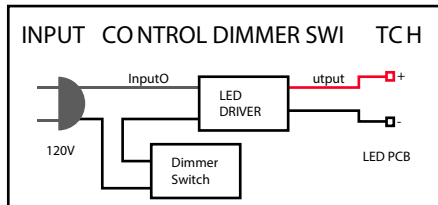
1. Housing without LED driver

- Connect-
- Black - Supply Voltage
 - White - Neutral
 - Green Ground J-box wire -copper or green grounding wire

2. Housing with LED driver

Junction box contains two wires. A black(hot+) and a white(neutral-) which must be spliced to the house current feed wire. Make sure to splice white to white and colored or black to black. After splicing has been completed, tuck splices carefully into junction box and replace cover(drawings 3)

DIMMER SWITCH WIRING



EMERGENCY BATTERY DIMENSIONS

